

## 3W LED Driver Constant Current



■ Approve



### Features

- Class II&I, SELV, built-in
- Input Voltage 100-240VAC
- Protections: SCP/OLP/OVP
- Power Factor  $\geq 0.5$
- IP65 Ingress protection
- Efficiency  $\geq 68\%$
- 5 years warranty

### Applications

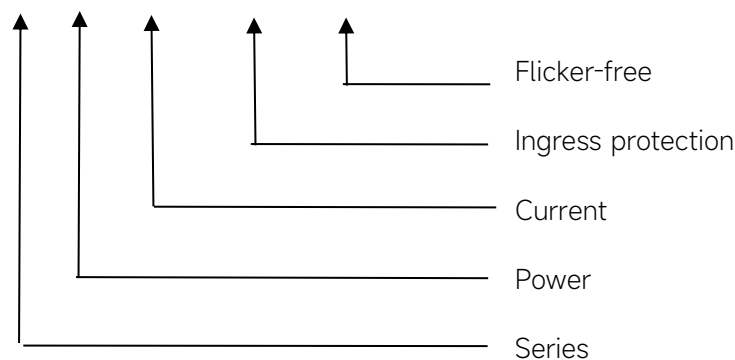
- LED spot light, Wall light

### ◆ Description

SH-3-XXX IP65 SB is a 3W constant current LED driver that operates from 90-264Vac input with 300 to 700mA output voltage. With it's compact dimensions from 47 x 23 x 21mm it is easy to integrate in LED spot and wall light products. To ensure trouble-free operation, protection is provided against output short circuit and over Load.

### ◆ Model code

SH-3-XXX IP65 SB



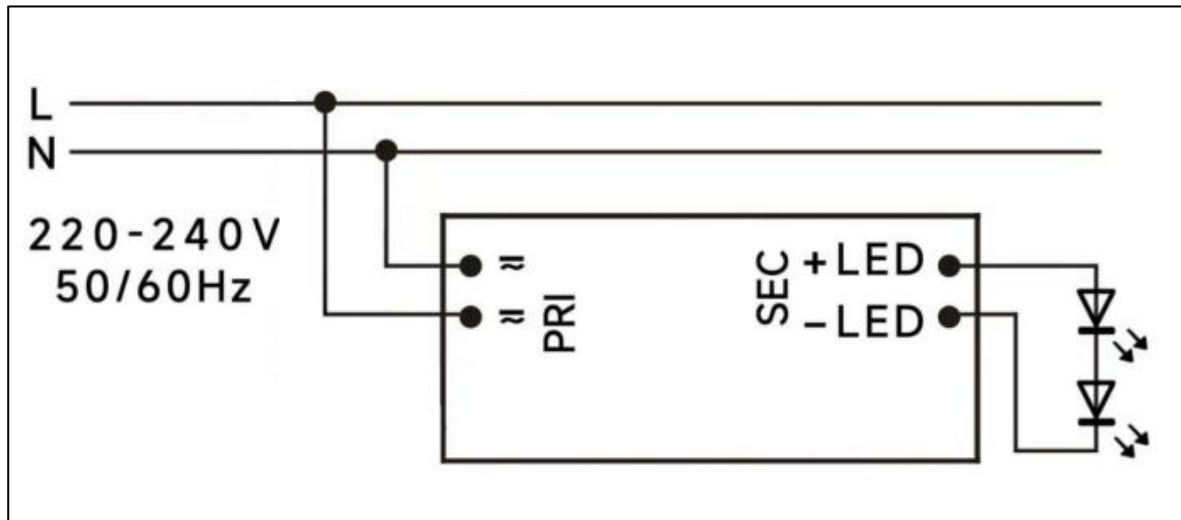
## ◆ Specification

Output	Constant Current	300mA	350mA	500mA	700mA
	Unload voltage Max.	20VDC	18VDC	15VDC	10VDC
	Voltage Range	2.5-12VDC	2.5-10VDC	2.5-7VDC	2.5-4.5VDC
	Current Accuracy	±5%			
	Output HF current ripple(≥1KHz)	±5%			
	Output LF current ripple(≤120Hz)	±5%			
	SVM	≤0.4			
	Pst	≤1			
	Efficiency(Typ.)	≥68%@Full load			
Input	Rated input voltage	100-240VAC			
	Range of input voltage	90-264VAC			
	Frequency(Hz)	50/60 Hz			
	Displacement factor	≥0.9			
	Power Factor	≥0.5@Full load			
	Input Current max	0.1A			
	Start-up time	< 0.5S			
	No Load Power	≤0.5W			
Protection	Over Load Protection	103-150% YES/Auto Resume			
	Over Voltage Protection	>20VDC	>18VDC	>15VDC	>10VDC
	Short circuit Protection	YES/Auto Resume			
Environment	Operating Temperature	-20°C~+50°C			
	Humidity	10%-90%RH			
	Tc	75°C			
	Storage Temperature	-20°C~+60°C			
	Life time	> 50000h@Tc=70°C,230VAC			
Surface	Dimension	47X23X21(LXWXH)mm			
standards	EN 61347-1; EN61347-2-13; EN62384; EN55015; EN61000-3-2 ; EN61000-3-3; EN 61547;				
Others	ErP	EU 2019/2020			
	RoHS	RoHS (2011/65/EU) (EU)2015/863			
Note	1.All parameters NOT specially mentioned are measured at 230VAC input , full load and 25°C of ambient temperature. 2.Ripple & Noise are measured at 20MHz of bandwidth by using a 300mm twisted pair-wire terminated with a 0.1uF & 47 uF parallel capacitor.				

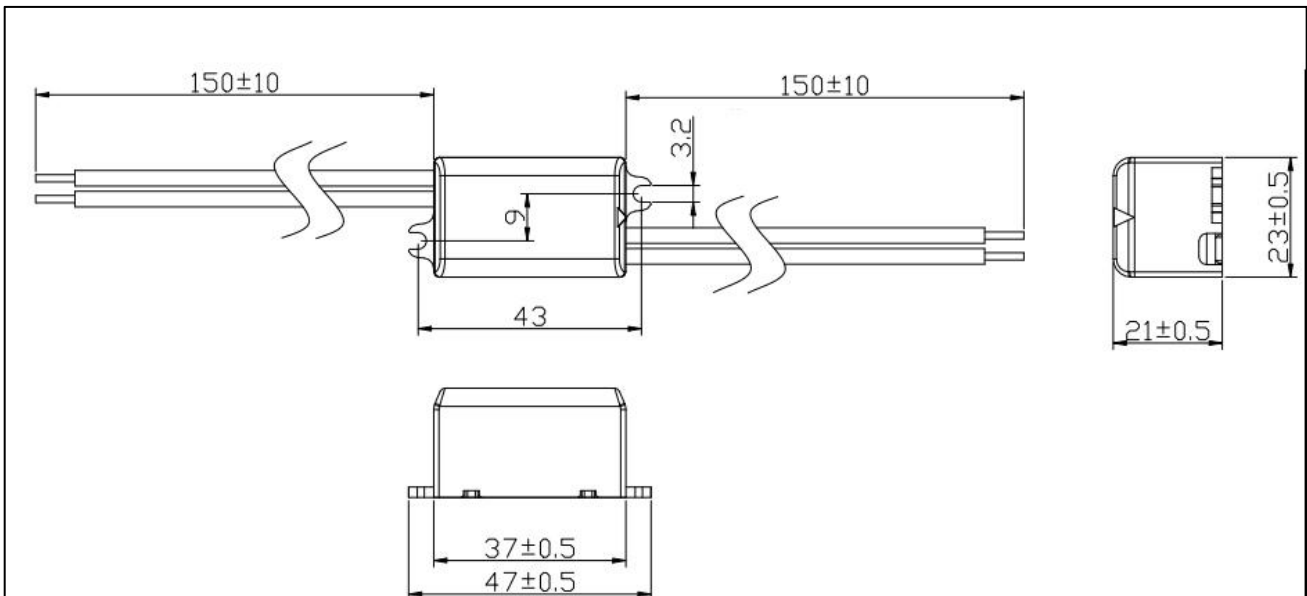
◆ **Circuit Breaker**

I <sub>peak</sub>	T <sub>width</sub>	B10	B16	B20	C10	C16	C20
20A	110μs	38pcs	61pcs	77pcs	64pcs	102pcs	128pcs

◆ **Wiring diagram**

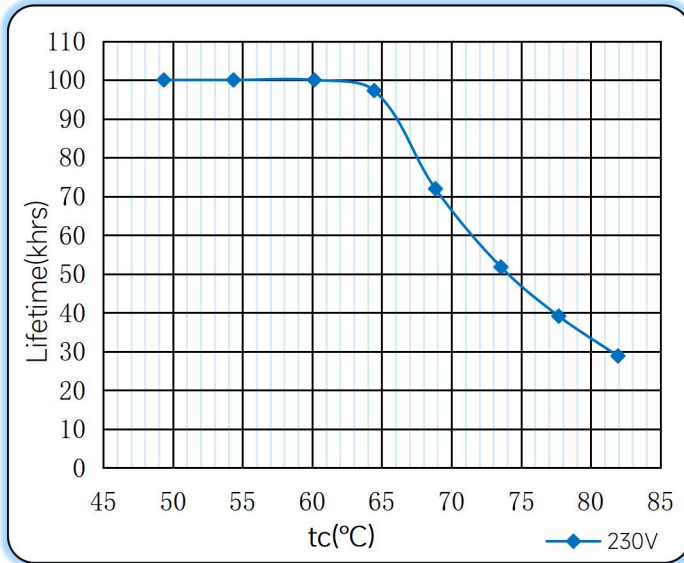


◆ **2D diagram**

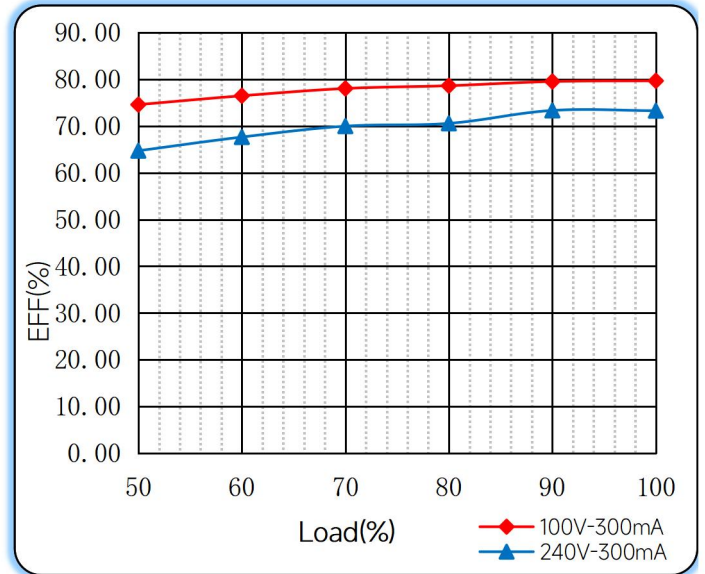


◆ **Curve for SH-3-300 IP65 SB, I<sub>o</sub>=350mA**

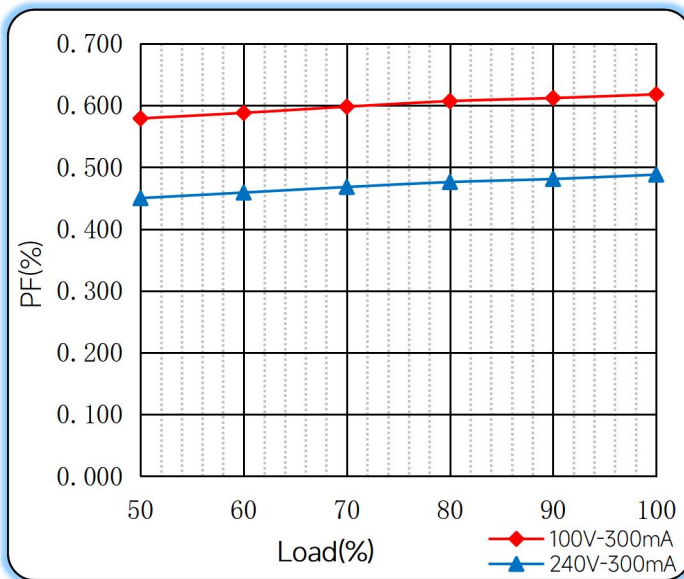
Lifetime vs. Temperature Curve



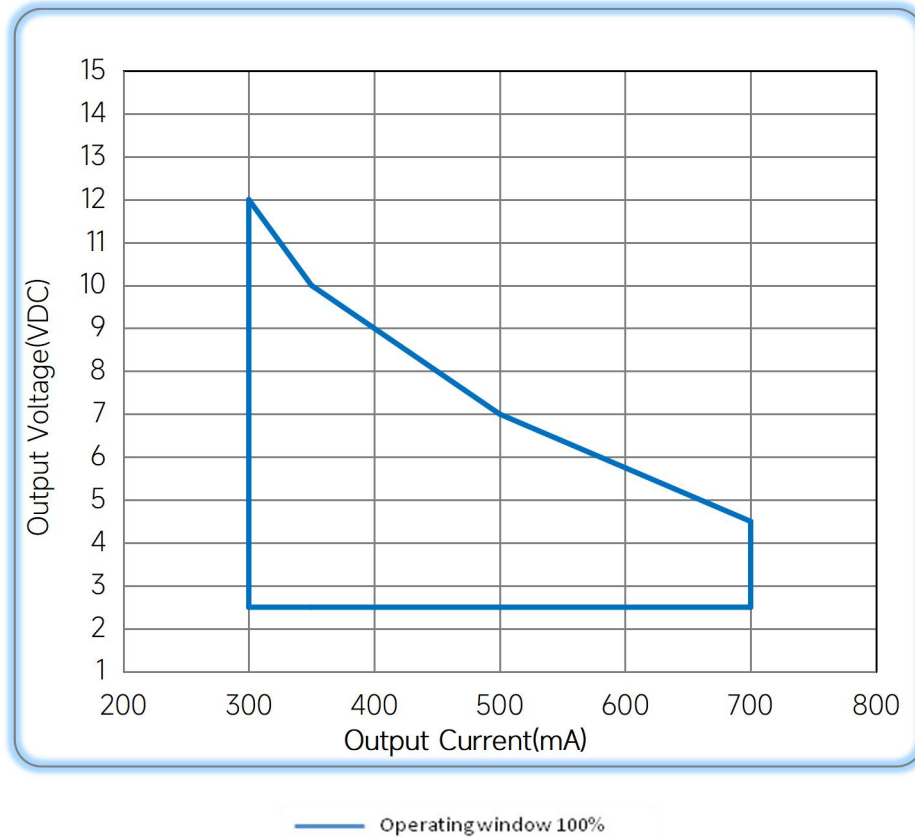
Efficiency vs. Load



**Power Factor Characteristics**



### ◆ Operating window



### ◆ Revision Updates

ITEM	BEFORE	AFTER	VERSION	DATE
Initial			A	2022/05/15

Tel: +86-0757-86256822, +86-0757-86256831

E-mail: sales@eaglerise.com

Website : <https://lighting.eaglerise.com>



EAGLERISE



Manual